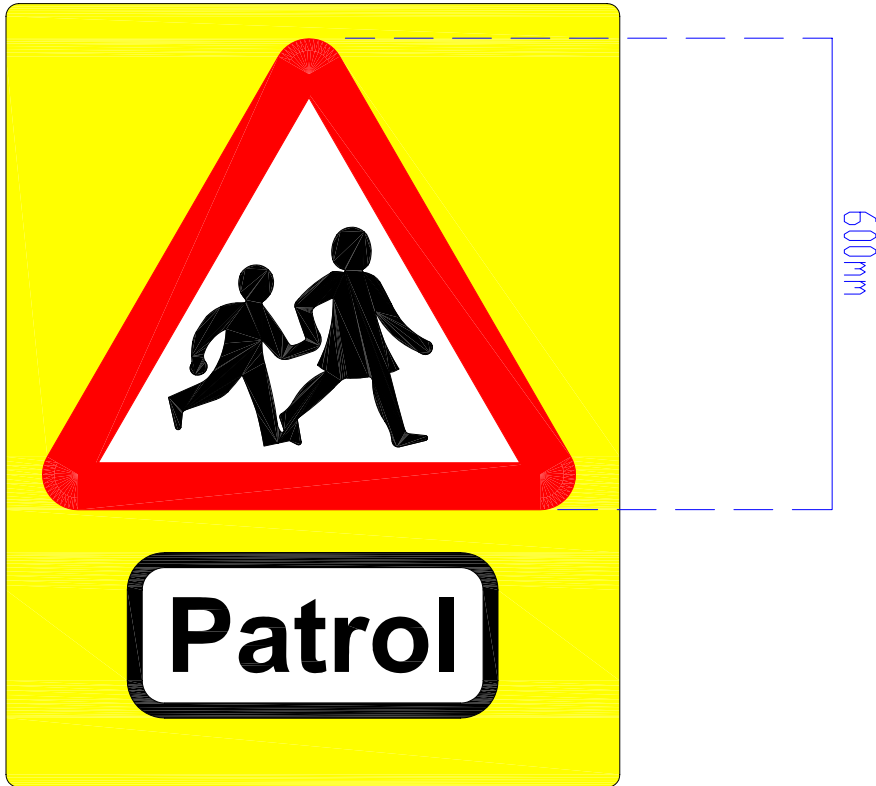
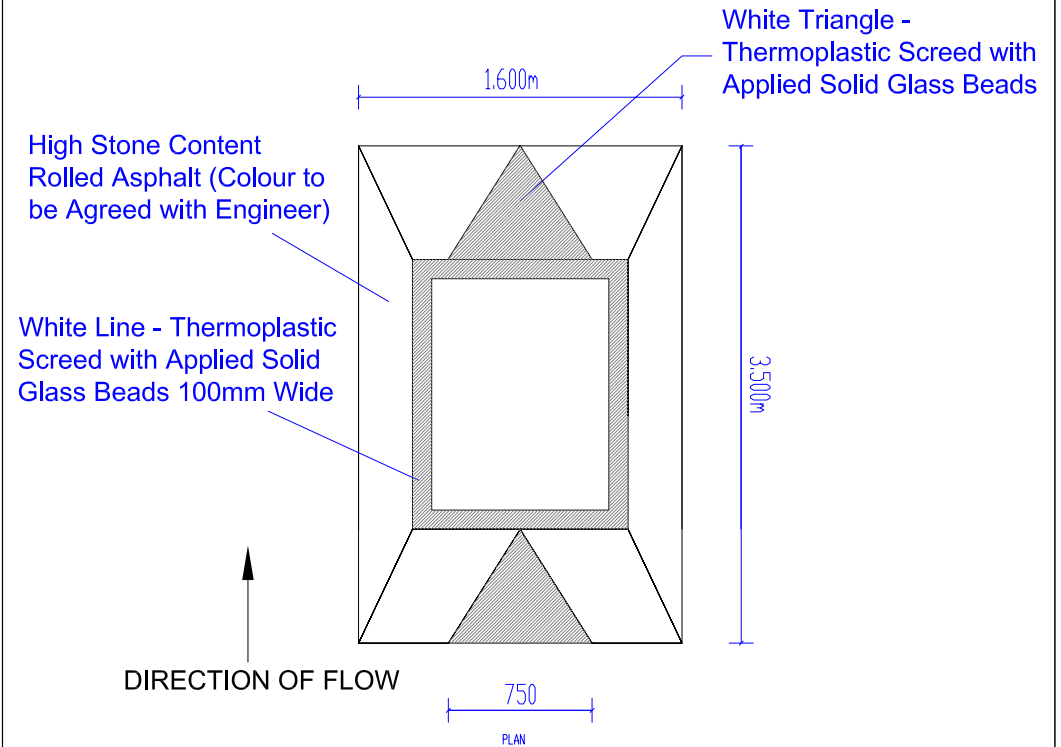


## Warning Sign with Backing Board



Warning signs for the school to be placed on yellow backing boards to increase their visibility.

## Speed Cushion Standard Detail



### NOTE :

All road markings within the safety zone will be refurbished, as well as those leading into the zone to increase the visibility of the measures.

	INITIAL	REV	AMENDMENT	DATE
DRAWN BY	BP			
CHECKED BY	JP			
SCALE	NTS	A4		
DATE	30/09/04			